

## 61 Series

### CAT5e Termination Block

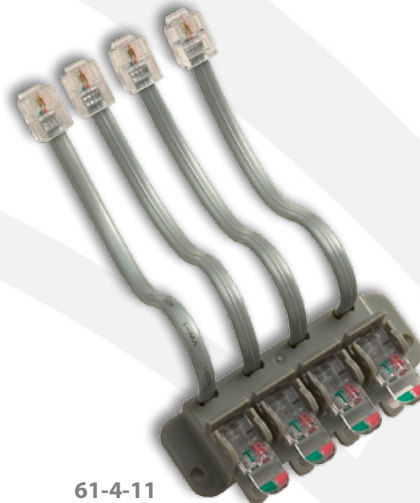
Compact Craft Friendly Design

Utilizes Gel-Sealed IDC  
Tool-Less Rocker Design

Mounts Easily on a Suitable  
Flat Surface or Installs in a Wire  
Terminal Housing

Eliminates Need for Field RJ-45 or  
RJ-11 Connector Terminations

CAT5e Compliant



61-4-11



61-1-45

The 61 Series Category 5e Termination Block is designed to accept Ethernet cable pairs without having to pre-terminate an RJ-45 or RJ-11. Converts cable pairs to RJ-45 or RJ-11 male plug end without the need for special tooling. Ideal for Fiber to the home (FTTH) ONT applications.



**Tii Technologies Inc.**

**Corporate Headquarters:**

141 Rodeo Drive  
Edgewood, NY 11717  
Phone: 631.789.5000 • Fax: 631.789.5063  
Toll Free: 888.844.4720  
sales@tiitech.com

**Locations:**

South March  
Long March Industrial Estate  
Daventry, Northamptonshire, NN11 4PH, UK  
Phone: +44 (0) 1327 301853  
Fax: +44 (0) 1327 879532  
sales@tiitech.co.uk

Av. José de Escandón y Helguera  
No. 21 Ciudad Industrial  
Matamoros, Tamaulipas, C.P. 87494, México  
Phone: 868.812.8011 • Fax: 868.812.8025  
salesmx@tiitech.com.mx

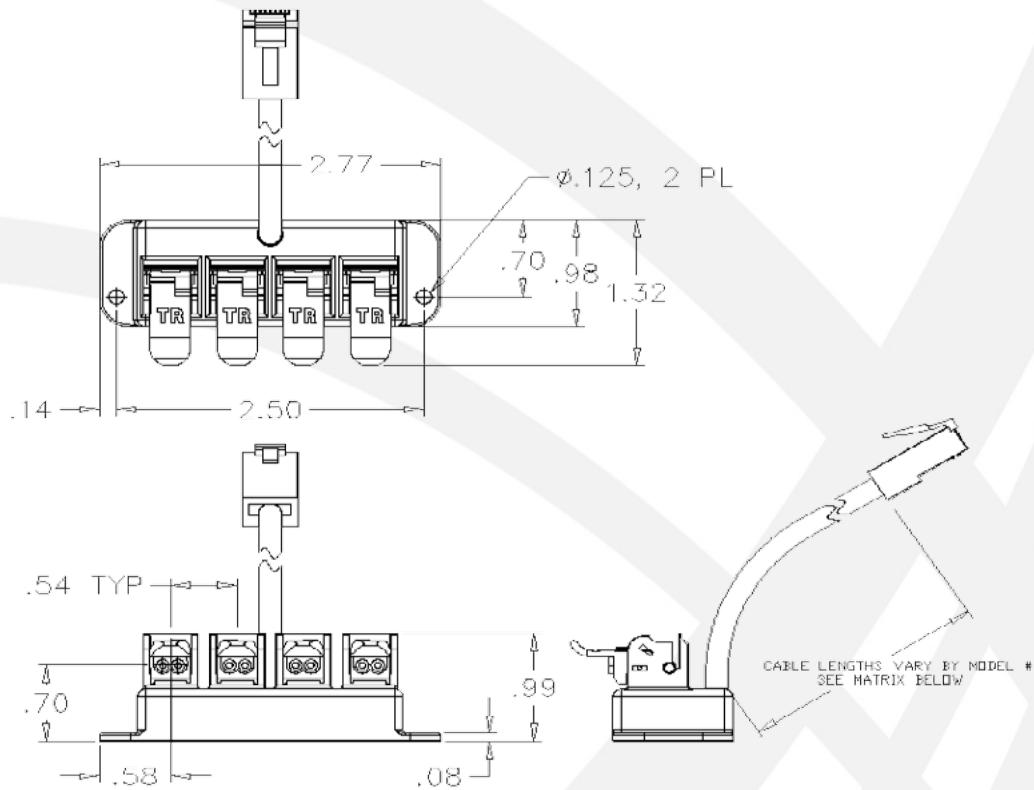
### KEY PRODUCT BENEFITS

- ▶ Terminations are made to gel-sealed insulation displacement contacts (IDC) by means of convenient tool-less rocker assemblies. Wire stripping is not required.
- ▶ Adapts Ethernet cable wire pairs to a RJ-45 interface and is available in both T568A and T568B configurations
- ▶ 61 Series termination blocks are available in an RJ-48C configuration with two RJ-45 male plugs, as well as an RJ-11 configuration with one or four RJ-11 male plugs
- ▶ Equipped with RJ-45 and RJ-11 pigtail(s)
- ▶ Compact, low profile design fits into applications where space is limited
- ▶ The 61 Series may be mounted via screws on a suitable flat surface or installed within a Tii indoor/outdoor wire terminal housing
- ▶ Accepts 26 through 22 gauge solid conductor wire sizes

### INDUSTRY STANDARDS

- ▶ Category-5e Compliant
- ▶ Meets UL 94 V-0 Flammability Rating
- ▶ Listed to UL 1863
- ▶ RoHS Compliant

# 61 Series



Dimensions are in Inches

## ORDERING INFORMATION

Model No.	Description	Cable Length
<b>61-1-45A</b>	4 Rocker IDC Bridge with One RJ-45 Cable Out Wired per T568A Configuration	8.0 +/- 0.25 inches
<b>61-1-45B</b>	4 Rocker IDC Bridge with One RJ-45 Cable Out Wired per T568B Configuration	8.0 +/- 0.25 inches
<b>61-2-45C</b>	4 Rocker IDC Bridge with Two RJ-45 Cables Out Wired per RJ-48C Configuration	8.0 +/- 0.25 inches
<b>61-1-11</b>	4 Rocker IDC Bridge with One RJ-11 Cable Out Wired per RJ-11 Configuration	5.0 +/- 0.25 inches
<b>61-1-11-RJ</b>	4 Rocker IDC Bridge with One RJ-11 Cable Out Wired per RJ-11 Configuration (Available in bulk package only - 320 units)	6.0 +/- 0.25 inches
<b>61-4-11-2</b>	4 Rocker IDC Bridge with Four RJ-11 Cables for Four POTS Lines per RJ-11 Configuration	2.5 +/- 0.25 inches
<b>61-4-11</b>	4 Rocker IDC Bridge with Four RJ-11 Cables for Four POTS Lines per RJ-11 Configuration	5.0 +/- 0.25 inches
<b>61-4-11-RJ</b>	4 Rocker IDC Bridge with Four RJ-11 Cables for Four POTS Lines per RJ-11 Configuration (Available in bulk package only - 320 units)	6.0 +/- 0.25 inches