

509F

Fiber Interface Device/Slack Storage Unit

Designed For Use In
Residential or MDU
Applications

Allows for Storage of Excess
Fiber Slack Up to 75ft.

Can Be Used As a
Standalone Unit or
Seamlessly Mated to
Outdoor ONT Enclosure
OD-ONT-ENC

Rugged Plastic Housing
with Separate Entry
Points for OSP Fiber and
Customer Fiber

Telcordia 3rd Party Tested

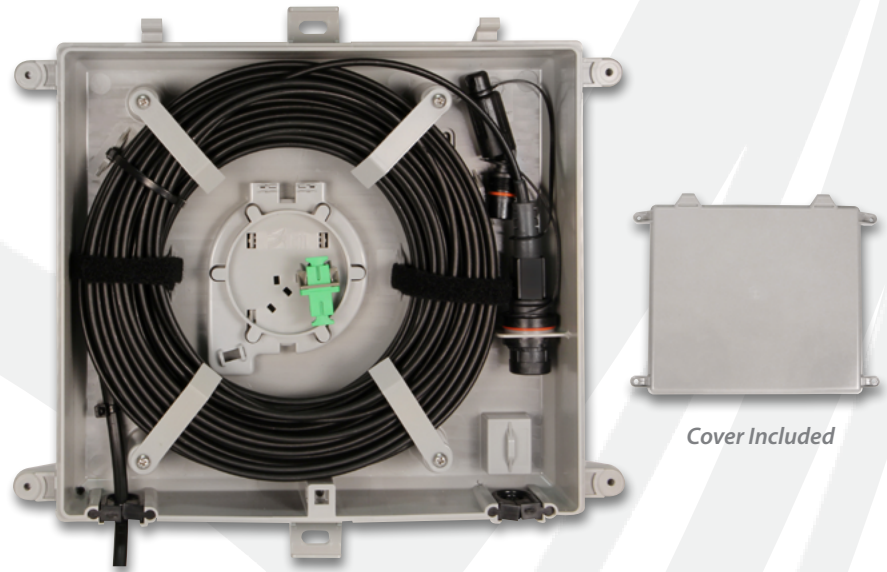


Tii Technologies Inc.

Corporate Headquarters:

141 Rodeo Drive
Edgewood, NY 11717
Phone: 631.789.5000
Fax: 631.789.5063
Toll Free: 888.844.4720
sales@tiitech.com

www.tiitech.com



*Shown with OSP Drop Cable, hardened fiber connector
to SC Adapter (not included) and FP01-01-01 Fiber Adapter Plate
(sold separately)*

Tii's 509F Fiber Interface Device provides termination of the OSP fiber drop and demarcation to the customer fiber drop, as well as slack storage for up to 75ft. of fiber. It may be used as a standalone unit, or mated to the OD-ONT-ENC Outdoor ONT Enclosure. The 509F accommodates a fiber adapter plate with multiple SC adapter options.

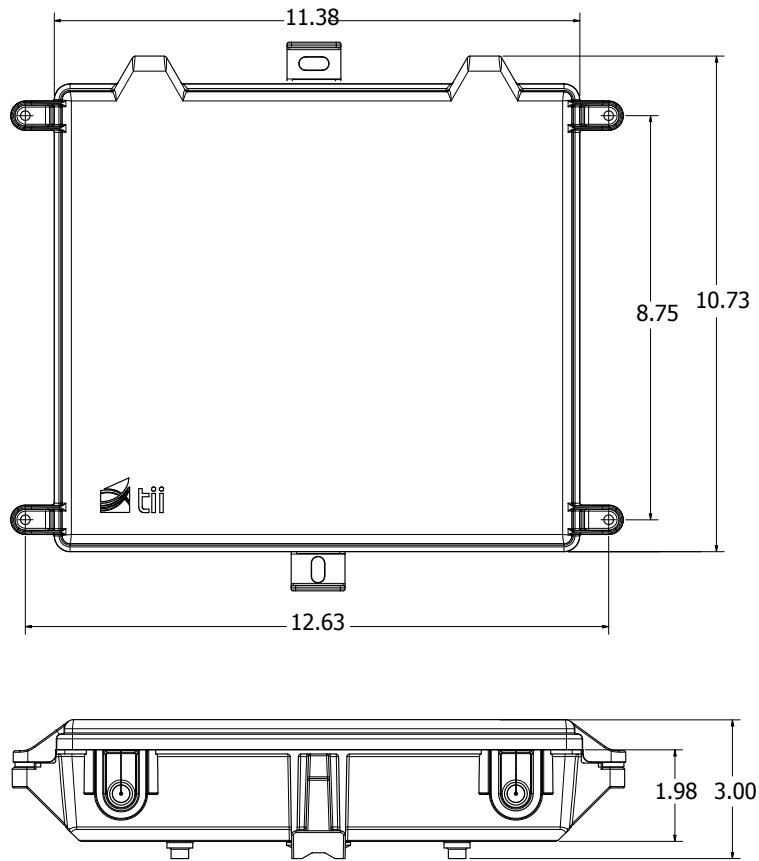
This rugged enclosure is constructed of superior materials capable of withstanding harsh outdoor environments including UV degradation, rain and snow, chemical exposure, and extreme temperatures.

KEY PRODUCT BENEFITS

- ▶ Slack storage for up to 75 feet of OSP fiber drop cable
- ▶ Rotating slack retention fingers for OSP drop cable or buffer tubes
- ▶ Multiple slack management tie down points
- ▶ Mounting provision for hardened fiber connector to SC Adapter (not included)
- ▶ Multiple adapter plate configurations available:
Up to 4 port patch with 2 fusion splice capacity
- ▶ Mounts directly to wall, or below OD-ONT-ENC enclosure
- ▶ Integrated cable management and strain relief features for cable entry/exit ports
- ▶ Multiple grommeted cable entry/exit ports
- ▶ Includes cover for standalone slack storage applications
- ▶ Cover closes securely with provided captive screws

INDUSTRY STANDARDS

- ▶ Telcordia 3rd party tested to applicable GR-487 specifications



Dimensions are in Inches

CUSTOM MODEL NUMBER MATRIX

509F	-XX	-XX	-XX
	Adapter Mounting Options	Adapter Type	# of Ports
	00 = No Plate	00 = None	00 = 0
	01 = Fiber Plate (1, 2, or 4 adapters only)	01 = SC-APC	01 = 1
		02 = SC-UPC	02 = 2
			04 = 4

COMMON CONFIGURATIONS

Model No.	Description	Standard Pkg.
509F	Fiber Interface Device / Slack Storage	
509F-01-01-01	Fiber Interface Device / Slack Storage 1 Port SC-APC Adapter Plate	14 ea. 41" x 14" x 12.75" - 26 lbs.
509F-01-01-02	Fiber Interface Device / Slack Storage 2 Port SC-APC Adapter Plate	