

506F

Fiber Interface Device/Slack Storage Unit

Equipped with Drop and
OSP Fiber Slack Storage

Rugged Plastic Housing
with Separate Entry Points
for OSP Fiber and
Customer Fiber

Terminates up to
12 Single Cables

Compact,
Craft-Friendly Design

Allows for Fiber Slack
Storage Up to 50ft.

Designed to GR-771



Tii Technologies Inc.

Corporate Headquarters:

141 Rodeo Drive
Edgewood, NY 11717
Phone: 631.789.5000
Fax: 631.789.5063
Toll Free: 888.844.4720
sales@tiitech.com



506F-01-01-01-N

Tii's 506F Fiber Interface Device/Slack Storage Unit is a compact unit which provides demarcation between the OSP fiber drop and customer fiber drop, as well as slack storage. The 506F is configurable for up to twelve fibers adapters. The unit is available without SC adapters for slack storage applications and is able to store up to 50ft. of fiber.

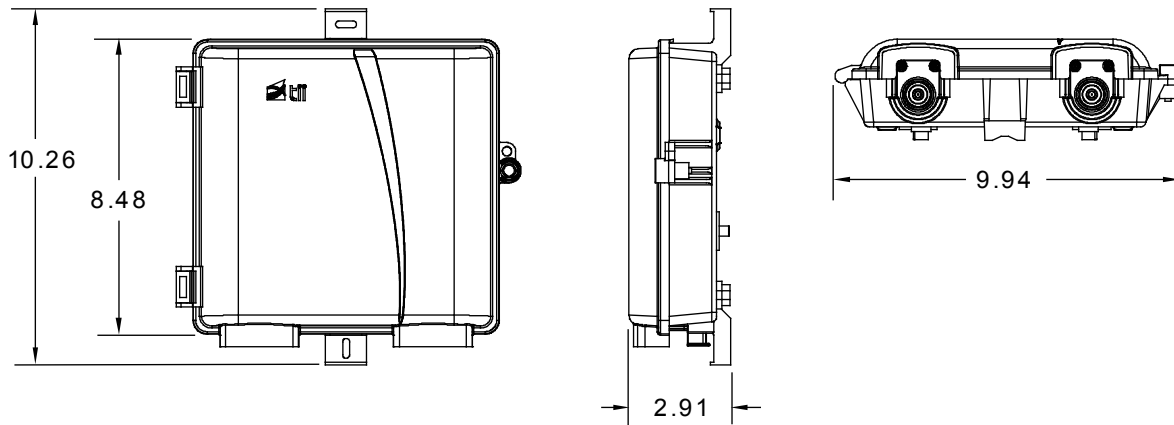
KEY PRODUCT BENEFITS

- ▶ Slack storage for up to 50 feet of fiber
- ▶ Multiple slack storage and adapter plate configurations available:
 - 4 port patch with 2 fusion splice capacity
 - 6 port patch only
 - 12 port patch only
- ▶ OptiTap compatible adapter provision - either at cable entry port or internal bracket
- ▶ Optional cable entry clamp and internal/external ground stud
- ▶ Corner slack retention for "springy" OSP drop cable or buffer tubes
- ▶ Multiple slack management tie down points
- ▶ Bottom grommets accept up to 1 inch conduit with tie-wrap provision
- ▶ Grommets on back provide rear fiber entry or exit
- ▶ Cover closes securely with 3/8" hex head bolt and has a provision for a security seal

INDUSTRY STANDARDS

- ▶ Designed to GR-771

506F



Dimensions are in Inches

ORDERING INFORMATION

Model No.	Description	Standard Pkg.
506F	Enclosure, Slack Storage	5 ea. 11"x11"x16" - 7 lbs.
506F-00-00-00-C	Enclosure, Slack Storage with Cable Entry Clamp	5 ea. 11"x11"x16" - 8 lbs.
506F-00-00-00-E	Enclosure, Slack Storage with Ground Stud	5 ea. 11"x11"x16" - 9 lbs.
506F-00-00-00-D	Enclosure, Slack Storage with Cable Entry Clamp and Ground Stud	5 ea. 11"x11"x16" - 10 lbs.
506F-01-01-01-N	Fiber Interface Device 1 Port SC-APC	5 ea. 11"x11"x16" - 10 lbs.
506F-01-01-02-N	Fiber Interface Device 2 Port SC-APC	5 ea. 11"x11"x16" - 10 lbs.
506F-02-01-06-N	Fiber Interface Device 6 Port SC-APC	5 ea. 11"x11"x16" - 12 lbs.
506F-04-01-12-N	Fiber Interface Device 12 Port SC-APC	5 ea. 11"x11"x16" - 15 lbs.
506F-05-00-00-N	Fiber Interface Device with OptiTap Compatible Mounting Bracket	5 ea. 11"x11"x16" - 8 lbs.
506F-05-01-01-N	Fiber Interface Device with OptiTap Compatible Adapter	5 ea. 11"x11"x16" - 10 lbs.

CUSTOM MODEL NUMBER MATRIX

506F	-XX	-XX	-XX	-X
	Adapter Mounting Options	Adapter Type	# of Ports	Configuration Options
	01 = Fiber Plate (1, 2, or 4 adapters only)	01 = SC-APC	01 = 1	N = None
	02 = Fiber Plate (6 Adapters)	02 = SC-UPC	02 = 2	C = Cable Entry Clamp
	04 = Fiber Plate (12 Adapters)		04 = 4	E = External Ground
			06 = 6	D = External Ground and Cable Entry Clamp Installed
			12 = 12	

ACCESSORIES

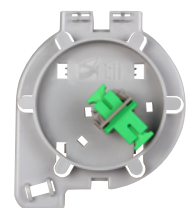
Model No.	Description	Standard Pkg.
BKT-506F-OT	Mounting Bracket, OptiTap Compatible Adapter (not included)	100 ea. 6" x 10" x 13" - 10 lbs.
FP01-01-01	Fiber Adapter Plate Slack Ring with SC-APC Adapter	50 ea. 8" x 9" x 23" - 5 lbs.
506F-OC	OptiTap Mounting Collar with Rubber Boot	



BKT-506F-OT
OptiTap Adapter Mounting Bracket



506F-OC
OptiTap Mounting Collar
with Rubber Boot



FP01-01-01
Fiber Plate with SC-APC Adapter