

171F

Fiber Transition Enclosure

Fiber Demarcation Point

Optional Copper Connectivity Interface for Small Cells, DAS, or G.fast

Terminates Up to Two Single-Fiber Cables (Four with LC)

Patch Only or Patch and Splice

Compact, Craft-Friendly Enclosure

Weatherproof - Meets NEMA-4, GR-771 and GR-2898 Requirements



Tii Technologies Inc.

Corporate Headquarters:

141 Rodeo Drive
Edgewood, NY 11717
Phone: 631.789.5000
Fax: 631.789.5063
Toll Free: 888.844.4720
sales@tiitech.com

www.tiitech.com



The 171F is a compact enclosure which is designed to provide a demarcation and transition point between fiber drops and downstream devices. Its optional copper connectivity makes it an ideal device for interfacing to the Customer Premise, Small Cells, DAS, or G.fast modem devices.

The unit comes in a wide range of configurations including support for Tii's FP01 adapter plate. In this configuration, Patch Only or Patch and Splice is supported for up to two fibers. The internal fiber routing system allows for proper bend radius and slack storage of bend insensitive fiber.

This weatherproof design is ideally suited for outdoor pole or wall mount installations, and is available with a wide variety of input cable port types, including OptiTap to SC adapters.

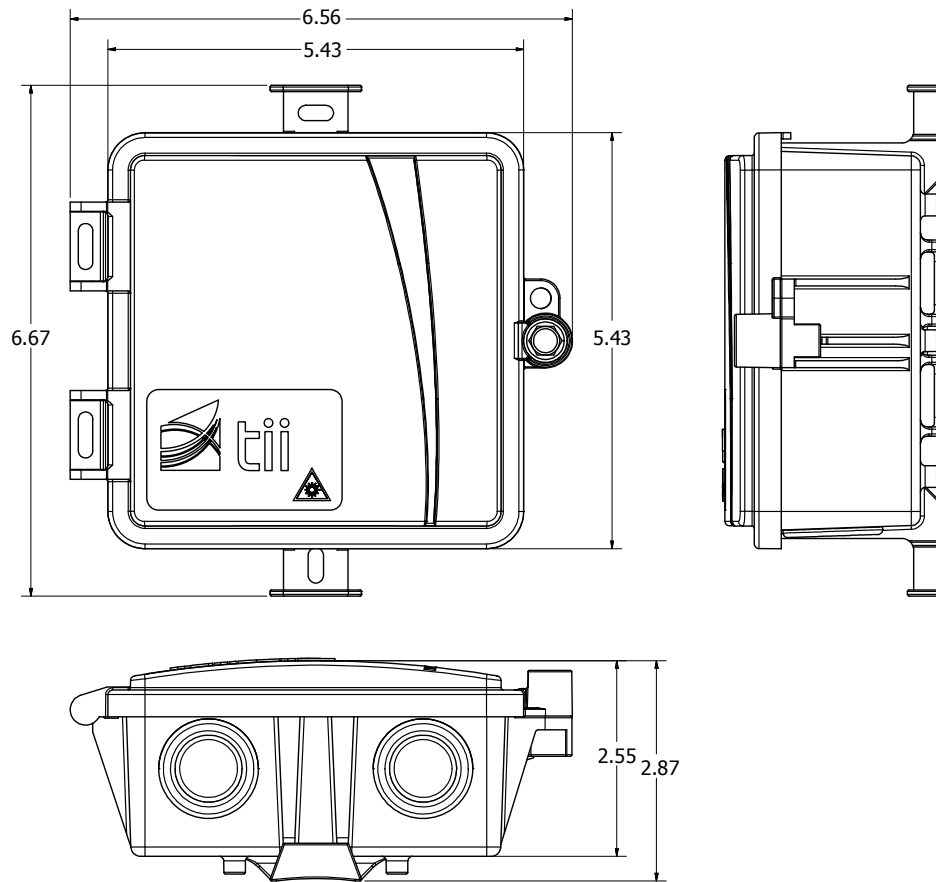
KEY PRODUCT BENEFITS

- ▶ Indoor/outdoor enclosure for wall or pole mounting; using pole straps (not included)
- ▶ Compact, low profile design for applications where space is limited
- ▶ Fiber adapter plate snaps in easily, and is designed for optimal bend radius of stored cable
- ▶ Up to two SC adapters (four LC) for demarcation point between OSP fiber and downstream device
- ▶ Optional Copper connectivity supports two pair IN/two pair OUT for line power applications, with test points
- ▶ Optional internal/external ground stud
- ▶ Outer cover secured by 216 tool compatible 3/8" hex head bolt with padlock provision
- ▶ Wide variety of grommets available including standard M25 cable glands and OptiTap adapters
- ▶ Can be used to join two OptiTap cables for length extension
- ▶ Constructed of superior materials capable of withstanding harsh outdoor environments

INDUSTRY STANDARDS

- ▶ Designed to meet NEMA-4, GR-771 and GR-2898 Requirements
- ▶ cUL Listed

171F



Dimensions are in Inches

ORDERING INFORMATION

171F	-XX	X	XX	XX
	Adapter Mounting Options	Middle Plate for Power Connections	Ground Stud	OEM
	00 = No FP Plate, No Adapters U1 = One SC UPC Adapter on FP Plate U2 = Two SC UPC Adapter on FP Plate A1 = One SC APC Adapter on FP Plate A2 = Two SC APC Adapter on FP Plate	0 = None 1 = Middle Plate	0 = None 1 = Ground Stud	Contact Sales

