

150C

Subscriber Protector Cover (for Station Applications)

Interchangeable with
Western Electric WE15 B or
WE305A2 Cover

Fits over Existing
Station Protector, Utilizing
Existing Ground Stud



The 150C Cover is specifically designed as a direct replacement for the WE150B soft plastic (neoprene) cover. This replacement unit provides existing or newly installed subscriber blocks with a superior protective enclosure.

KEY PRODUCT BENEFITS

- ▶ Consists of a molded plastic housing, rubber grommet wire entrance and nylon captive nut with nylon washer
- ▶ Fits over and attaches to a subscriber station protector, WE123A1A, WE128A1A-2, Reliable R123 or equivalent

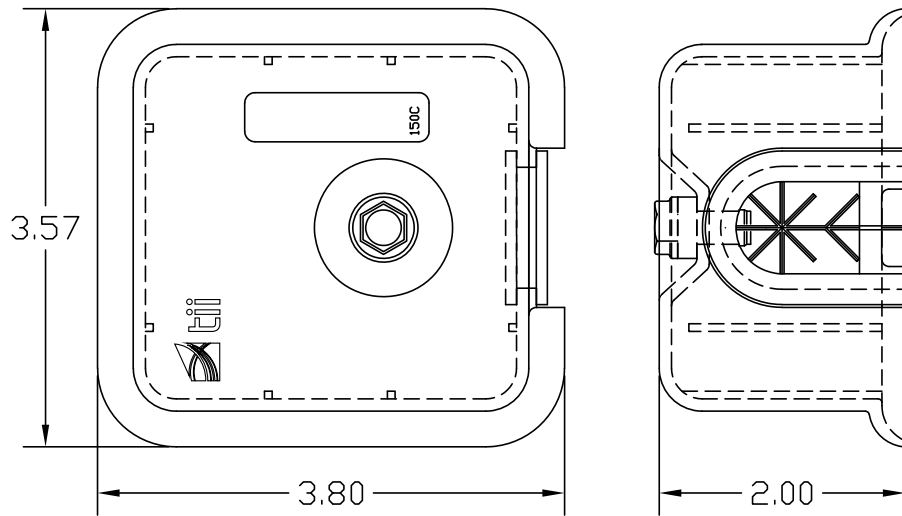


Tii Technologies Inc.

Corporate Headquarters:

141 Rodeo Drive
Edgewood, NY 11717
Phone: 631.789.5000
Fax: 631.789.5063
Toll Free: 888.844.4720
sales@tiitech.com

150C



Dimensions are in Inches

ORDERING INFORMATION

Model No.	Description	Standard Pkg.
150C	Subscriber Protector Cover	250 pieces - 0.14 lbs each